

CS10P



The CS10p is a two-way, full-range intelligent loudspeaker, intended for use in a wide variety of applications. Utilizing Adamson's proprietary network platform, the CS10p employs a redundant MILAN scheme with the ability to daisy-chain networked audio between multiple sources, an analog XLR input and output, as well as on-board DSP and amplification. All features of the loudspeaker are controlled and monitored through Adamson's proprietary CS software.

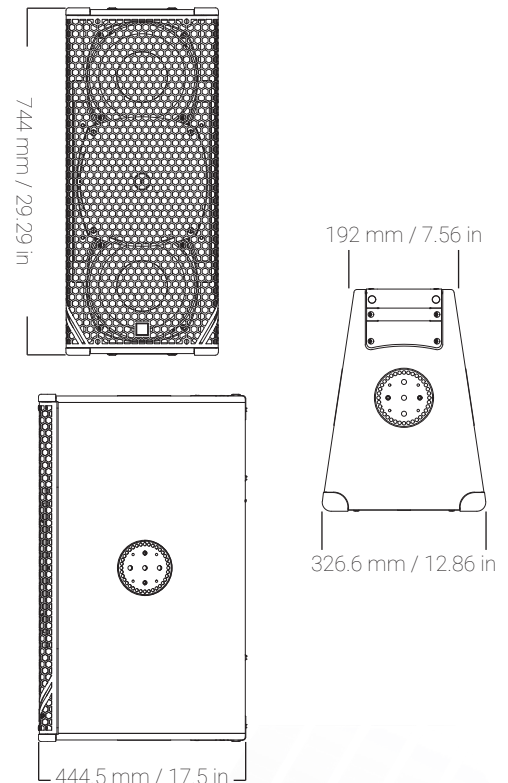
Acoustically, the CS10p contains 2x 10-inch Kevlar Neodymium transducers and a 3" compression driver, loaded with either a 70° x 40° or a 100° x 50° (H x V) waveguide, each rotatable by 90 degrees. The dipole arrangement of the cabinet results in a stable polar response, meaning the CS10p can be easily paired to increase horizontal coverage and overall output.

The cabinet construction uses marine grade birch plywood as well as aircraft grade steel and aluminum, and is equipped with a male and female XLR connector, 2x etherCON connections and an in and through powerCON TRUE1 connection. The rigging system offers a wide variety of possible solutions.

Please refer to the CS10p User Manual for further information.

Technical Specifications

Frequency Range (+/- 3dB)	60 Hz - 18 kHz
Nominal Directivity (-6 dB) H x V	70° x 40° or 100° x 50°
Maximum Peak SPL*	139 dB
Components LF	2x ND10-LM 10" Kevlar Neodymium Driver
Components HF	Adamson NH3 3" Diaphragm / 1.4" Exit Compression Driver
Rigging	Integrated Rigging System Built-in Polemount Socket
Connections	Power: powerCON TRUE1 Network: 2x etherCON Analog: 2x XLR
Height (mm / in)	744 / 29.29
Width Front (mm / in)	326.6 / 12.86
Width Back (mm / in)	192 / 7.56
Depth (mm / in)	444.5 / 17.5
Weight (kg / lbs)	30 / 66.2
Amplification	2 channel Class-D, 2400 W total output
Input Voltage	100 - 240 V
Current Draw at 230 V	0.45 A rms idle, 1.6 A rms long-term, 10 A max peak
Processing	Onboard / Proprietary



*12dB crest factor pink noise at 1m, free field, using specified processing and amplification

